

## 执行标准

1. 制造与验收技术条件按日本火力发电用阀门标准E101和JB/T3595-2000的规定。
2. 结构长度按GB/T15188.1-94的规定或按用户提供尺寸。
3. 焊接坡口按GB12224-89的规定或按用户提供尺寸。

## Implementation Standards

1. Manufacturing and acceptance conditions according to Japan's thermal power valve standard E101 and Provisions of JB/T3595-2000.
2. The length of the structure in accordance with the provisions of the GB/T15188.1-94 or the size of the user.
3. Welding groove according to the provisions of GB12224-89 or according to user size.

## 性能规范 Performance Specification

型号 Model	公称压力 Nominal Pressure	试验压力 Test pressure		工作压力 Working Pressure	工作温度 Working temperature /°C	适用介质 Applicable medium
		强度试验 Strength test	密封试验/上密封试验 Seal test / seal test			
Z960Y-250 <sup>1</sup> / <sub>2</sub>	25	37.5	27.0	-	≤425	水、蒸汽 Water and steam
Z960Y-320 <sup>1</sup> / <sub>2</sub>	32	48.0	36.0	-	≤425	
Z960Y-P54100 <sup>1</sup> / <sub>2</sub>	-	30.0	22.0	P5410	≤540	蒸汽 Steam
Z960Y-P54170 <sup>1</sup> / <sub>2</sub>	-	48.0	36.0	P5417	≤540	

## 主要零件材料 Main Part Material

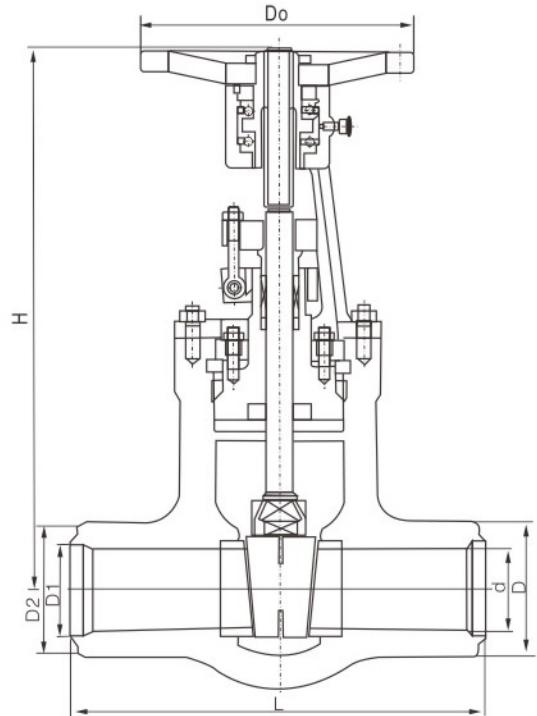
零件名称 Part name	材料牌号 Material grade		
阀体 Body	WCB	WC6或20CrMoV	WC9或15CrMo1V
阀板 Valve plate	WCB	WC6或20CrMoV	WC9或15CrMo1V
阀盖 Valve cover	25	12Cr1MoVA	
阀杆 Stem	38CrMoAlA	20Cr1MoVA	
阀座 valve seat	25	12Cr1MoVA	
密封环 Seal ring	增强柔性石墨 (s软钢) Enhanced flexible graphite (s steel)	增强柔性石墨 (s软钢) Enhanced flexible graphite (s steel)	F软钢 F mild steel
填料 filler	增强柔性石墨 Enhanced flexible graphite		
支架 Bracket	WCB	WCB或WC6	
阀杆螺母 Stem nut	45(ZCuZn25AL6Fe3Mn3)ZQAL-4		
四开环 Four open loop	1Cr13	20Cr1Mo1VA	

**说明 Explain**

1. 本焊接闸阀中部连接方式有法兰连接与自密封式两种。
  2. 阀体长度及焊接接口尺寸倒角坡度可根据用户要求生产。
1. The middle connection of the welding gate valve flange connection and self sealing two.
  2. The length of the valve body and the welding interface size chamfering slope can be produced in accordance with user requirements.

**性能规范 Performance Specification**

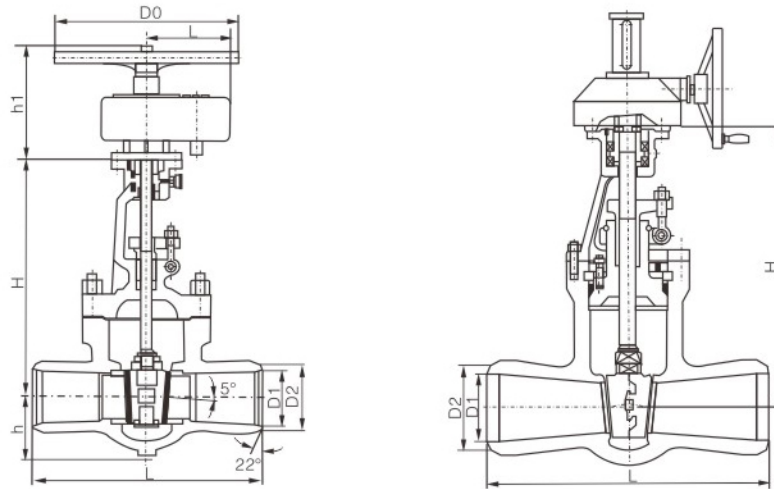
<b>工作温度</b> Working temperature	V型≤570°C 其余型≤450°C Type V is less than or equal to 570°C; the other type is smaller than 450 °C
<b>阀体材料</b> Body material	V型铬钼钒钢ZG20Cr15CrMoV其余型WCB V type ZG20Cr15CrMoV type WCB the Ming molybdenum vanadium steel
<b>适用介质</b> Applicable medium	水、蒸汽 Water and steam



**主要尺寸 Main Dimension**

公称压力 MPa	公称通径 DN	主要尺寸 Main dimension						重量 Weight
		L	H	D	D1	D2	D0	
20.0	50	216	216	82	78	586	300	-
	65	254	254	105	93	650	320	-
	80	305	305	120	110	680	400	-
	100	356	356	148	145	755	450	-
	125	432	432	172	172	830	500	-
	150	508	508	198	183	1050	550	-
	175	650	650	223	193	1050	600	-
	225	850	850	278	278	1050	750	-
	250	674	674	300	325	1100	-	-
	300	991	991	380	380	1200	-	-

正齿轮/锥齿轮传动焊接闸阀



**性能规范 Performance Specification**

工作温度 Working temperature	碳钢425°C, 合金钢570°C Carbon steel425°C, alloy steel570°C
阀体材料 Body material	V型 : ZG20CrMoV 其余型 : ZG25 WCB Type V: ZG20CrMoV rest: ZG25 WCB
适用介质 Applicable medium	水、蒸汽 Water and steam

**主要尺寸 Main Dimension**

公称压力 MPa	公称通径 DN	主要尺寸 Main dimension						重量 Weight
		L	H	D	D1	D2	D0	
25.0	50	216	82	48	78	586	300	-
	65	254	105	62	93	650	320	-
	80	305	120	78	110	680	400	-
	100	406	152	100	148	755	450	-
	125	483	172	125	172	830	500	-
	150	559	198	150	200	1050	550	-
	175	700	223	175	223	1050	600	-
	225	850	278	225	262	1050	750	-
	250	900	300	250	282	1100	750	-
32.0	100	457	160	95	148	1236	450	-
	125	533	172	120	168	1402	600	-
	150	610	198	140	200	1403	600	-
	175	750	223	155	223	1650	700	-
	225	850	278	210	282	1650	-	-
	250	900	300	240	325	1650	-	-



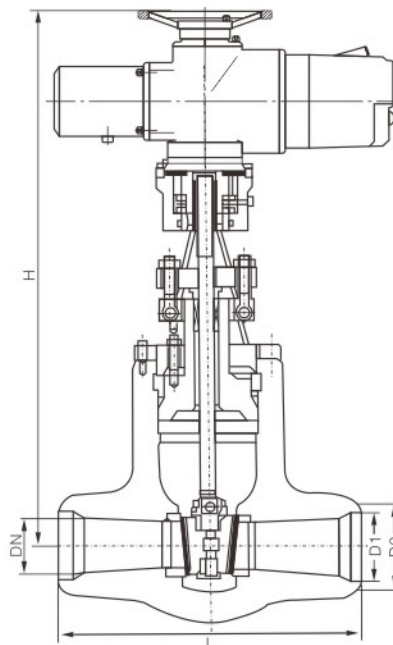
### 执行标准 Implementation Standards

注：

1. 制造与验收技术条件按E101和HB/T3595-2002的规定。
2. 阀门试验按JB/T3595-2002和GB/T13927-92的规定，阀门密封试验和上密封试验压力按JB/T3595-2002的规定。
3. 结构长度按 GB/T15188.1-94的规定或用户提供尺寸。
4. 焊接坡口按 GB12224-89的规定或按用户提供尺寸。

Note:

1. M1. manufacturing and acceptance technical requirements in accordance with the provisions of E101 and HB/T3595-2002.
2. Valve test according to the provisions of JB/T3595-2002 and GB/T13927-92, valve seal test And upper seal test pressure according to JB/T3595-2002.
3. The length of the structure in accordance with the provisions of GB/T15188.1-94 or user size.
4. Welding groove according to the provisions of GB12224-89 or according to user size.



### 主要尺寸 Main Dimension

公称压力 MPa	公称通径 DN	主要尺寸 Main dimension						重量 Weight
		L	H	D	D1	D2	D0	
P54100V	100	356	148	108	145	755	450	-
	125	432	172	129	172	830	600	-
	150	508	198	166	200	1050	600	-
	175	650	223	177	223	1050	700	-
	225	850	278	210	262	1050	-	-
	250	764	300	275	282	1100	-	-
P54170V	100	406	152	100	145	755	450	-
	125	483	172	125	172	830	600	-
	150	559	198	150	200	1050	600	-
	175	700	223	175	223	1050	700	-
	225	850	278	225	262	1050	-	-
	250	900	300	250	282	1100	-	-
P54140V	100	457	160	95	133	755	450	-
	125	533	172	120	168	830	600	-
	150	610	198	140	200	1050	600	-
	145	750	223	155	223	1050	700	-
	225	850	278	210	282	1050	-	-
	250	900	300	240	325	1100	-	-