

**PNEUMATIC FILM ANGLE SINGLE SEAT
REGULATING VALVE**
气动薄膜角形单座调节阀

Scientific Technological Innovation
Source of Prosperity

产品概述 Product Description

ZM_B^AS型气动薄膜角形单座调节阀是一种顶导向结构的调节阀, 阀体结构紧凑。流路通畅, 压降损失小, 流量大。阀芯导向面积大, 抗震性好, 阀座关闭性能符合GB/T4213-92标准。调节阀配用多弹簧式薄膜执行机构, 其结构紧凑, 输出力大, 该阀广泛用于允许泄漏量小阀前后压差不大场合, 控制高粘度介质及含有颗粒的流体和泥浆, 闪蒸流体等, 可避免结焦、堵塞, 便于自净与清洗。PN220、PN320公称压力角形高压调节阀专为易产生气蚀高压系统设计的一种特殊阀门。

ZM_B^AS-type pneumatic diaphragm angle single-seat control valve is a top-oriented structure of the control valve, compact body. Smooth flow, pressure drop of small, large flow. Spool-oriented area, good shock resistance. Seat closure performance in line with GB / T4213-92 standard. The valve is equipped with multi-spring film actuator, its compact structure, the output force, the valve is widely used to allow leakage of small valve before and after the pressure difference is not the occasion, control of high viscosity media and fluid containing particles and mud, Fluid, etc., to avoid coking, plug, easy self-cleaning and cleaning. PN220, PN320 nominal pressure angle high pressure regulating valve designed for easy to produce cavitation high pressure system design of a special valve.



ZMAS/ZMBS

标准技术参数 Standard Technical Parameters

阀 体

型 式：单座型铸造角阀（锻造）
阀尺寸：DN25~200
额定压力：PN16, PN40, PN63, PN220, PN320
连接形式：法兰, 焊接
法兰标准：钢制法兰按GB9113-2000, JB/T-94
密封面型式：PN16为凸面
 PN40, 63为凹凸面
 PN220, 320为榫槽面
材 料：ZG230~450
 ZG1Cr18Ni9Ti
 ZG1Cr18Ni12MoTi
结构形式：标准型(-20°C~+200°C)
 低温型(-60°C~-196°C)
 散热型(-40°C~+450°C)
 波纹管密封型
压盖形式：压板式
填 料：V型聚四氟乙烯填料, 柔性石墨填料
垫 片：型式, 齿型和平型
 材料, F4/改性F4, 不锈钢+石墨

Body

Type: single seat casting angle valve (forging)
Valve size: DN25 ~ 200
Rated pressure: PN16, PN40, PN63, PN220, PN320
Connection: flange, welding
Flange standard: steel flange according to GB9113-2000, JB / T-94
Sealing surface type: PN16 is convex
 PN40, 63 is a concavo-convex surface
 PN220, 320 for the tongue and groove surface
Material: ZG230 ~ 450
 ZG1Cr18Ni9Ti
 ZG1Cr18Ni12MoTi
Structure: Standard type (-20 ° C ~ + 200 ° C)
 Low temperature (-60 ° C ~ -196 ° C)
 Heat dissipation (-40 ° C ~ + 450 ° C)
 Bellows seal type
Gland form: plate type
Filling: V-PTFE packing, flexible graphite packing
Gasket: type, tooth type and peace
 Material, F4 / modified F4, stainless steel + graphite

阀内组件

阀 芯：单座/套筒柱塞型阀芯
金属密封
等百分比特性(%C)
线性特性(LC)

Valve assembly

Spool: single seat / sleeve plunger type spool
Metal seal
Equal percentage characteristics (% C)
Linearity (LC)

执行机构

型 式：多弹簧式薄膜执行机构
ZH_B^A-22, ZH_B^A-23, ZH_B^A-34, ZH_B^A-45
阀 作 用：正作用,反作用
膜片材料：丁腈橡胶夹增强涤纶织物
弹簧量程：20~100KPa, 40~200KPa,
80~240KPa

Executive body

Type: multi-spring film actuator
ZH_B^A-22, ZH_B^A-23, ZH_B^A-34, ZH_B^A-45
Valve role: positive role, the reaction
Diaphragm material: nitrile rubber folder reinforced polyester fabric
Spring range: 20 ~ 100KPa, 40 ~ 200KPa,
80 ~ 240 kPa

供气压力：0.14~0.4MPa
信号接口：内螺纹M16×1.5
环境温度：-30°C~+70°C

Supply pressure: 0.14 ~ 0.4MPa
Signal interface: internal thread M16×1.5
Ambient temperature: -30 ° C ~ + 70 ° C

阀作用

气关式FO(配正作用执行机构)
当气源故障时，执行机构弹簧将阀打开
气开式FC(配反作用执行机构)
当气源故障时，执行机构弹簧将阀关闭

Valve function

Gas-Off Type FO (Acting Actuator)
When the gas source fails, the actuator spring will open the valve
Gas-open FC (counter-reaction with the executive body)
When the air supply fails, the actuator spring closes the valve

附 件(根据要求配置)

定位器,空气过滤减压阀,手轮机构,限位开关,电磁阀。阀位传送器,继电器,保位阀,其它

Accessories (on request)

Locator, air filter valve, hand wheel mechanism, limit switches, solenoid valve. Valve position transmitter, Relay, security valve, the other

性 能

额定Kv值：参照表1
流量特性：线性,等百分比
可调范围：50: 1
阀座泄漏率(对于额定Kv值%)
金属密封 小于0.01%(ANSIB16.104-1976IV级)
及小于0.001%(为选择项)
回 差：小于全行程的1% (带定位器)
小于全行程的3%~5% (不带定位器)
基本误差：小于全行程的±1% (带定位器)
小于全行程的±5% (不带定位器)
外形尺寸：参照表2
油漆颜色：调节阀的气动执行机构和阀的表面应涂漆,不锈钢和铜的阀可不涂漆。阀体上的箭头及文字涂红漆用户指定色彩也可。

Performance

Rated Kv value: refer to Table 1
Flow characteristics: linear, equal percentage
Adjustable range: 50: 1
Seat leakage rate (for rated Kv value%)
Metal seal less than 0.01% (ANSIB16.104-1976IV grade)
And less than 0.001% (as an option)
Hysteresis: less than 1% of full stroke (with positioner)
Less than the whole trip 3% to 5% (without locator)
Basic error: less than ± 1% of full stroke (with positioner)
Less than ± 5% of full travel (without positioner)
Dimensions: Refer to Table 2
Paint Color: Pneumatic actuator and valve surface of the control valve should be painted, stainless steel and copper valves may not be painted. Arrows and text on the body painted red paint can also specify the color of the user.

**PNEUMATIC FILM ANGLE SINGLE SEAT
REGULATING VALVE**

气动薄膜角形单座调节阀

Scientific Technological Innovation
Source of Prosperity

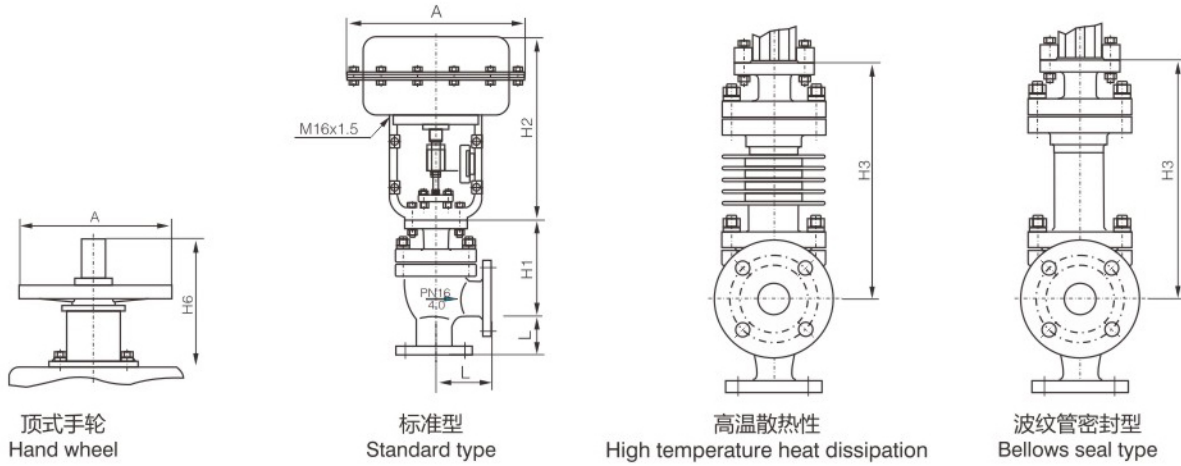


表1 kv值和行程 Table 1 Kv Values and Travel

DN	阀座直径 Seat diameter	额定流量系数 KV Rated flow coefficient KV		执行机构型号 Executive body	膜片有效面积 Effective area of diaphragm(cm ²)	额定行程 Rated travel (mm)
		线性 Linear	等比 Ratio			
20	10	1.8	1.6	ZH _B ^A -22	350	16
	12	2.8	2.5			
	15	4.4	4			
	20	6.9	6.3			
25	25	11	10	ZH _B ^A -23	350	25
32	32	17	16			
40	40	27	25			
50	50	44	40			
65	65	69	63	ZH _B ^A -34	560	40
80	80	110	100			
100	100	176	160			
125	125	275	250			
150	150	440	400	ZH _B ^A -45	900	60
200	200	690	630			

表2主要外形尺寸 Table 2 Main Dimensions

DN	L		A	H1		H2	H3		H4		C	H6
	PN16/40	PN63		PN16/40	PN63		PN16/40	PN63	PN16/40	PN63		
20	95	115	285	107	119	271	267	279	267	279	220	180
25	100	115	285	107	119	271	267	279	267	279	220	180
32	105	130	285	114	122	297	282	290	282	290	220	180
40	115	130	285	132	140	297	300	308	300	308	220	180
50	125	150	285	137	157	297	305	315	305	315	220	180
65	145	170	360	164	168	375	402	407	402	407	265	240
80	155	190	360	174	179	375	415	417	412	417	265	240
100	175	215	360	189	200	375	427	438	427	438	265	240
125	200	250	470	213	230	455	474	491	604	621	315	304
150	225	275	470	243	250	455	504	511	634	641	315	304
200	275	325	470	298	304	455	559	565	689	695	315	304